



Pony Testing International Group

报告编号(Report ID): I04013021021D~1

锂电池跌落测试报告

Lithium Battery Drop Test Report



Sample Description
& Model

Cylindrical Lithium-ion Battery F[®]18650 2200

Applicant

First New Energy Co., Ltd

Manufacturer

First New Energy Co., Ltd

P O N Y 谱尼测试
Pony Testing International Group

www.ponytest.com

No.: I04013021021D

Code: v4y25145





Pony Testing International Group

I. SAMPLE DESCRIPTION

| | | | |
|--------------------|--------------------------------------|----------------|--------------|
| Sample Description | Cylindrical Lithium-ion Battery | Sample Model | F®18650 2200 |
| Applicant | First New Energy Co., Ltd | | |
| Manufacturer | First New Energy Co., Ltd | | |
| Nominal Voltage | 3.6V | Rated Capacity | 2200mAh |
| Outer package | Paper Box | Inner package | Paper Box |
| Dimensions | 115×74×67mm | Cushion | --- |
| Gross weight | 0.5kg | Battery number | 8Pcs/packing |
| Client date | 2014-03-20 | Finished date | 2014-04-10 |
| Packaging type | Package including lithium batteries. | | |

II. REFERENCE METHOD

《Recommendations On The Transport Of Dangerous Goods-Model Regulations》
(ST/SG/AC.10/1/Rev.18th)

III. TEST ITEM

1.2m Drop test
Gross Weight Measure

IV. CONCLUSION

This package is capable of withstanding a 1.2m drop test in any orientation without damage to cells or batteries contained therein, without shifting of the contents so as to allow battery to battery contact and without release of contents. The weight of the package is 0.5kg gross mass.

Prepared by: *Linchaitian* Checked by: *chengpeng* Approved by: *liyou*

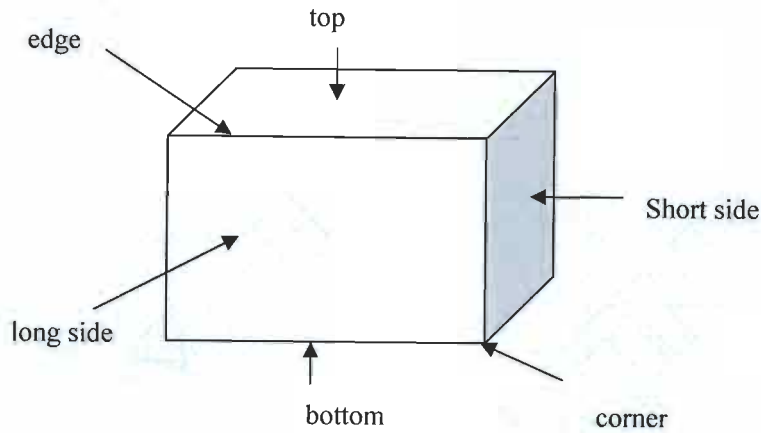
Issue Date: April 10, 2014



Pony Testing International Group

V. TEST METHOD

《Recommendations On The Transport Of Dangerous Goods-Model Regulations》(18th) Special Provision 188 of Chapter 3.3.



VI. TEST APPARATUS

IE-0279 Drop test system

IE-0178 BALANCE

VII. TEST ENVIRONMENT CONDITION

Ambient temperature: 20~25 (°C)

Ambient humidity: 50~60 (%)

VIII. TEST DATA

| 1.2m Drop test | Side | Edge | Angle |
|----------------|---|------|-------|
| Test Result | a. Without damage to cells or batteries contained therein; b. Without shifting of the contents so as to allow battery to battery (or cell to cell) contact; c. Without release of contents. | | |
| Conclusion | The test package is capable of withstanding a 1.2m drop test in any orientation. | | |



Pony Testing International Group

| | |
|-------------|----------------------|
| Test Item | Gross Weight Measure |
| Test Result | 0.5kg |
| Conclusion | Passed |

IX. SAMPLE PHOTO



Authenticate the photo on original report only

*** End of report ***

www.ponytest.com

Hotline 400-819-5688

Add: 北京市海淀区苏州街49-3

Add: 上海市徐汇区桂平路680号

Add: 深圳市南山区创业路中兴

Add: 青岛市崂山区株洲路190

Tel: (010) 82618116

Tel: (021) 64851999

Tel: (0755) 26050909

Tel: (0532) 88706866

Add: 天津市南开区红旗路赢寰

Add: 宁波市高新区新晖路150号

Add: 广州市海珠区敦和路189号

Tel: (022) 27360730

Tel: (0574) 87736499

Tel: (020) 89224310